

## Change notification for Single Phase Capacitor

### ■ Affected Models

Series	Phase	Wattage	Spec	
NEXT GTR NEW MID	1Ph	0.1kW	Gear Motor	
			Gear Motor with brake	
			Capacitor Start	

### ■ Identifying affected model

A motor is part of this change if the yellow portion of the model matches the below description.

Gear Head Model					Motor Model							Brake	Option	
Series	Mount	Frame	Shaft type	Ratio	Motor Category	Motor type	Wattage	Phase	Voltage	Certifications	Terminal Box	Brake	Code 1	Code 2
G3	L	18	N	15	-	M	M	01	N	J	N	N		
G3	F	22	N	100				W						

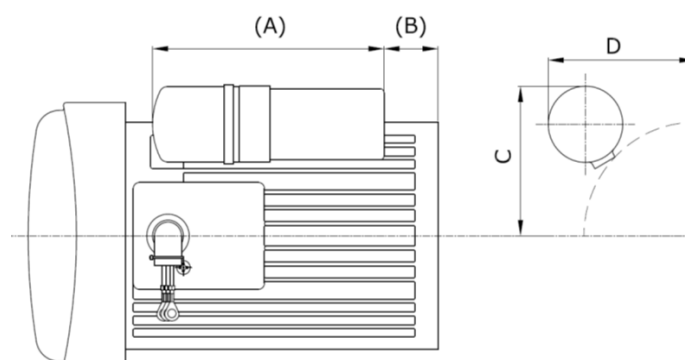
Capacity	
01	0.1kW

Phase #	
C	1Ph Capacitor start

### ■ Dimension comparison

	A	B	C	D
Current Capacitor	95	43	76	76
New Capacitor	113	30	78	78



### ■ Change date:

This change will be implemented after the 1st of September as soon as the old inventory is gone.

### ■ Contacts (TEL)

Nissei Corporation

●Tokyo Office : 03-5695-5411

●Nagoya Office : 0566-92-7410

●Osaka Office : 06-6210-1157

●Oversea sales (English) : 0566-92-5312

●Customer Service center : 0120-889-867