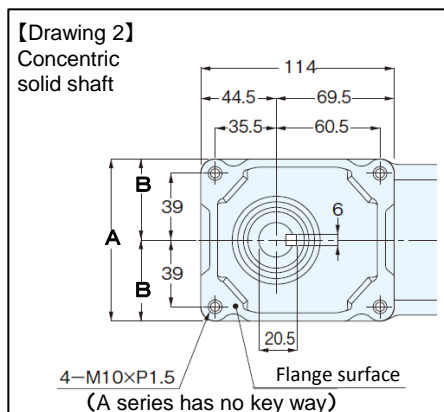
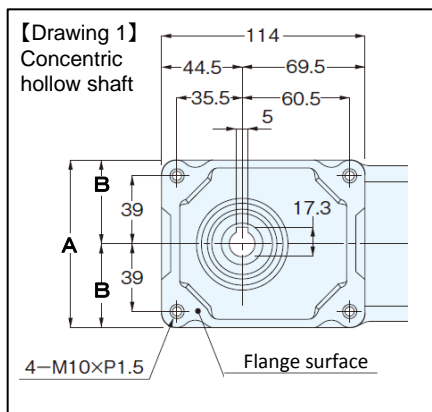


Dimensions will be changed in reduction gear parts as below.

■ Target Models

Series	Motor Power	Model	
MINI Series	1/20HP~ 1/10HP	F2 Type F2S (concentric hollow shaft) Frame size 15	F2 Type F2F (concentric solid shaft) Frame size 18
GTR-AR BLDC Gearmotor	1/8HP	Variable speed gearmotor APQ AF3S (concentric hollow shaft) Frame size 15	Variable speed gearmotor APQ AF3F (concentric hollow shaft) Frame size 18
	1/8HP	AC servo gearmotor AEF AF3S (concentric hollow shaft) Frame size 15	AC servo gearmotor AEF AF3F (concentric hollow shaft) Frame size 18
	1/8HP	Battery-powered type gearmotor VF3S (concentric hollow shaft)	Battery-powered type gearmotor VF3F (concentric solid shaft)
GTR-AR Servomotor High Precision Gearmotor	1/8HP	A Series AF3SZ (concentric hollow shaft) Backlash accuracy at 1 min, 3 min	A Series AF3FZ (concentric solid shaft) Backlash accuracy at 1 min, 3 min

■ Changes of dimension (Changes are same for all of target models)



Drawing	Dimension A	Dimension B
【Drawing 1】 Concentric hollow shaft F2S AF3S VF3S AF3SZ	Before:96	Before:48
	↓	↓
	After:98	After:49
【Drawing 2】 Concentric solid shaft F2F AF3F VF3F AF3FZ	Before:96	Before:48
	↓	↓
	After:98	After:49

※Mounting dimensions and other than above are not changed.

■ The Date of Change

1st December, 2016

■ Contact

NISSEI CORPORATION

▪ Overseas Sales Department

TEL: +81-566-92-5312

E-mail: oversea@nissei-gtr.co.jp